

Model GAUDI LOCK

DIAGRAM TO DRILL HOLES mod, EURO MORTISE

★ Drill Door Holes

Make a installation hole on the door as diagram 1 shown, "Diagram 1" indicates a right hand door; otherwise it indicates a left hand door.

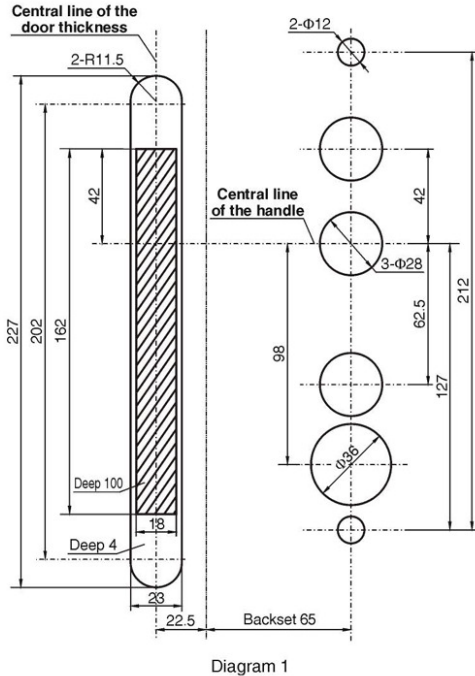


Diagram 1

★ Strike box installation hole diagram

Make a hole on the door for installing strike box as diagram 2 shown; The height of the holes is the same as of the door lock. The position of strike box should be arranged so that the lock keeps flush with the doorframe when close it.

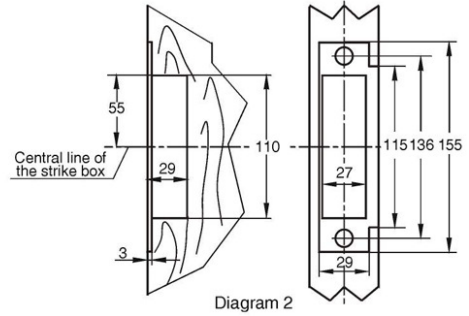


Diagram 2

Install the strike box on the doorframe, put on the strike plate, and then fix them with 2 pieces of screw 4.2X25.

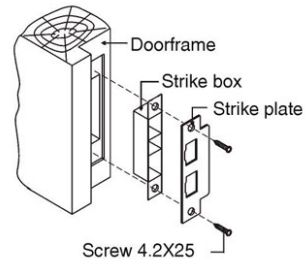


Diagram 3

★ Installation Guide

Note: the appearance of lock in the picture may be not the same with the real model, but the installation is the same.

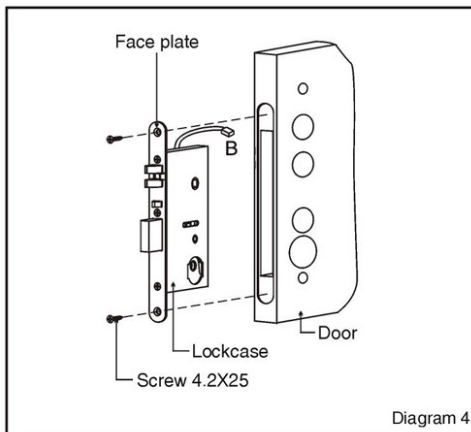
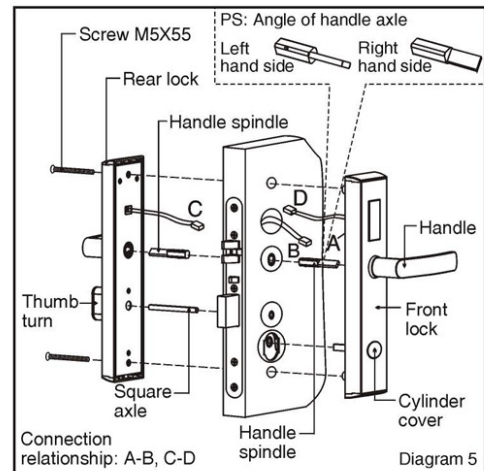


Diagram 4

Install the door lock with following steps:

(1). As diagram 4 shown, pull the lead wire B through the hole on the door and fix the lockcase with 2 pieces of screw 4.2X25.



(2). Connect wire B with socket A, connect wire C with wire D, then insert two handle spindles into holes on the front lock and the rear lock respectively (PS: the rear handle spindle is opposite direction to the front one, but same angle for turning). And insert square axle into the square hole on the rear lock. Make sure the cylinder and the square axle are installed on the right position. Then fasten the front lock and the rear lock with 2 pieces of screw M5X50.
(NOTE: To initialize the PCB before installation.)